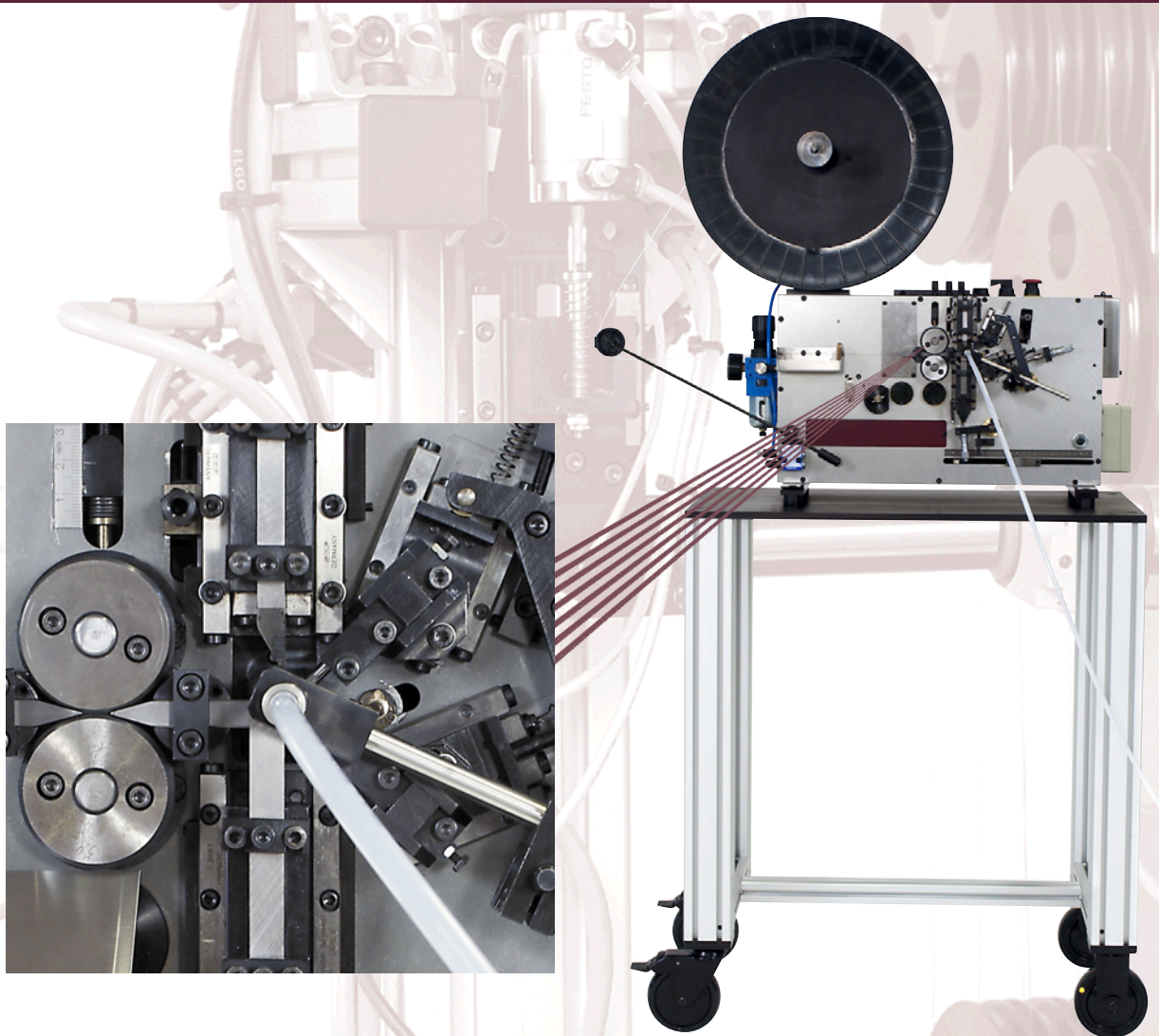


TEKNOLOGI DETALJER



colombi 

COLOMBI Pneumatic Spring Coilers

Inline spring manufacturing and assembly equipment for compression springs and rings.

Cost efficient at both high and low output rates.

Fully compatible with the COLOMBI post manufacturing equipment for Heat treatment, testing, statistics and distribution.

COLOMBI Pneumatic Spring Coiler

The COLOMBI Pneumatic coiler is designed to be a simple and reliable machine, suitable for integration into an automatic assembly system.

With the COLOMBI coilers it is possible to manufacture and feed compression springs to widely separated points of the assembly line. The springs can furthermore be heat treated, tested and documented.

Springs on demand

The COLOMBI coilers are able to manufacture and deliver springs on demand. This means that the required quantity of springs will be delivered to the assembly line in the exact moment they are needed.

COLOMBI spring coilers are part of a system

The COLOMBI pneumatic coiler can be used together with a wide range of the COLOMBI post manufacturing equipment such as:

- COLOMBI Heat treatment to stress relieve the manufactured springs and to maintain a tighter tolerance on free length
- COLOMBI Load and Length control to monitor the springs delivered to the assembly point

- COLOMBI Pick-up station and Pen dispenser for manual handling of coiled springs

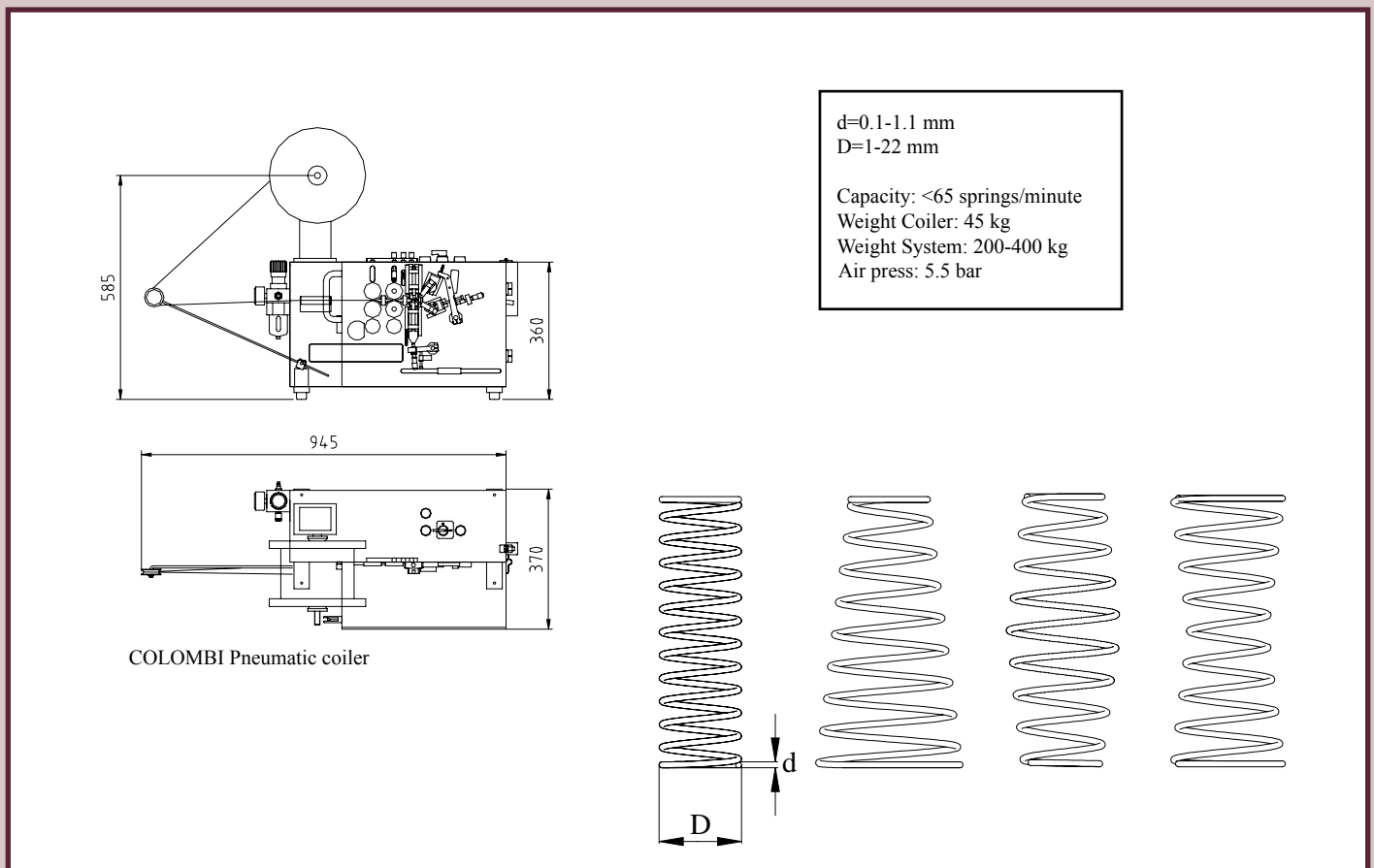
Available for the COLOMBI coilers is also a wide range of pneumatic and electrical wire dereelers.

COLOMBI Pneumatic coilers are designed to last

All components in the COLOMBI products are supplied by well known manufacturers with worldwide service.

Training

Since many of our customers are not trained users of spring coiling equipment, we also provide training and assistance for start up.



COLOMBI is a protected trademark by Tekno-Detaljer AB

colombi[®]

Tekno-Detaljer AB 

Internet: www.colombi.se • Phone: +46 (0)8 795 27 30

SS-EN ISO 9001:2000